



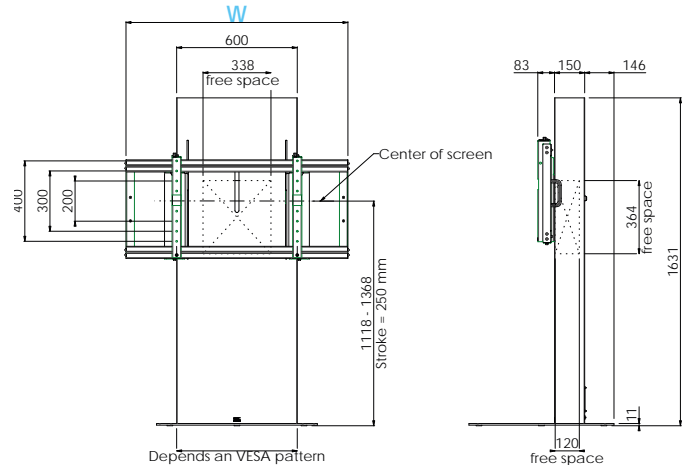
## Multi purpose eye-catcher

The name already says it all, this design technically eye-catching solution can be utilized for many purposes: static flat panel mounting, flat panel mounting with electric height adjustment, with or without wheels, interactive presentations, video conferencing, single flat panel mounting (up to 98 inch!), dual flat panel mounting and VideoWall mounting.

Besides a luxurious look and feel the Multi Purpose Business Trolleys offer sufficient space to easily place your peripherals out of sight within the body. All trolleys have a standard recess for power supply and Neutric/other connection panels and various accessories are available to further extend the already very complete functionality.

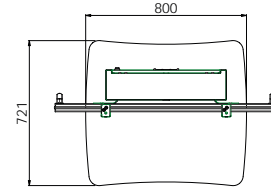
# MULTI PURPOSE BUSINESS STANDS AND TROLLEYS

## Static stand and trolleys

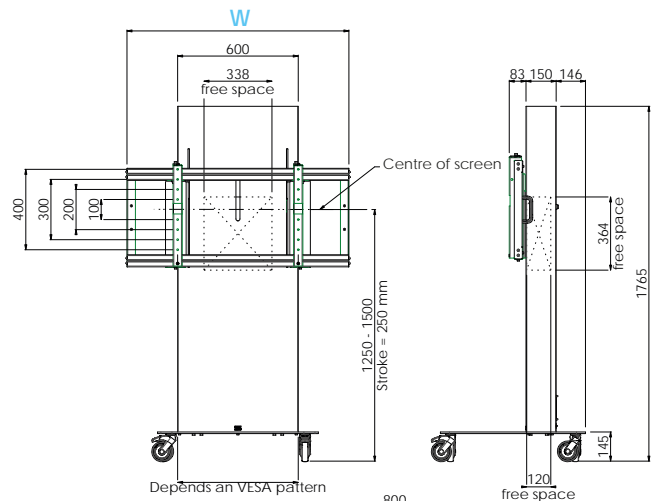


### BUSINESS & VC STAND STATIC

	Colour	
	Max. load	100 kg
	Position	Landscape
	VESA	Max. VESA 400 high
	Stroke	250 mm
	Accessories	See from page 44

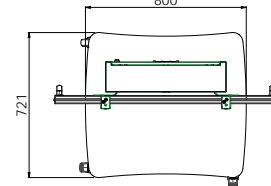


Article code	Inch range	Width (W)
062.2861	Max. 86 inch	1104 mm
062.2866	Max. 2x 65 inch	2194 mm



### BUSINESS & VC TROLLEYS STATIC

	Colour	
	Max. load	100 kg
	Position	Landscape
	VESA	Max. VESA 400 high
	Stroke	250 mm
	Accessories	See from page 44



Article code	Inch range	Width (W)
062.2860	Max. 86 inch	1100 mm
062.2865	Max. 2x 65 inch	2201 mm

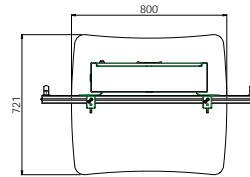
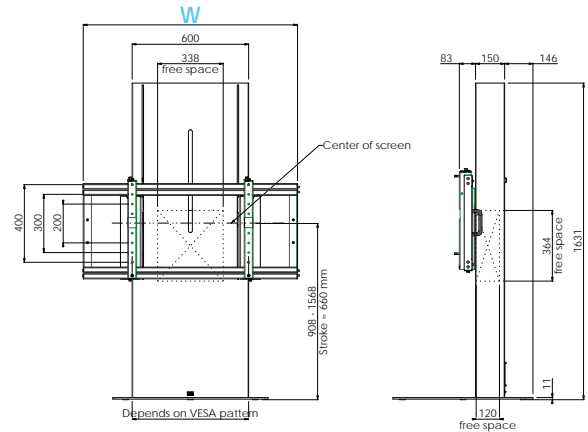
# MULTI PURPOSE BUSINESS STANDS AND TROLLEYS

Electrical stand and trolleys, max. 84 inch



## BUSINESS & VC STAND ELECTRICAL

	Colour	
	Max. load	100 kg
	Position	Landscape
	VESA	Max. VESA 400 high
	Stroke	660 mm
	Anti-collision	Included
	Accessories	See from page 44

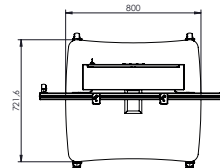
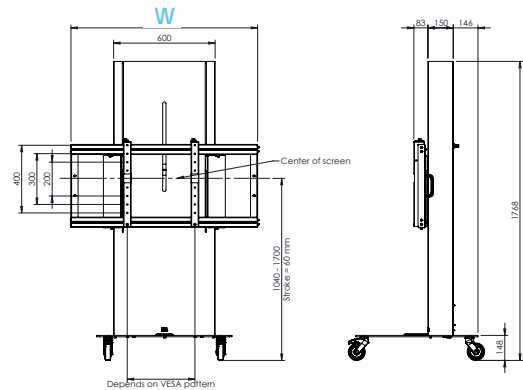


Article code	Inch range	Width (W)
062.2871	Max. 86 inch	1104 mm
062.2876	Max. 2x 65 inch	2194 mm



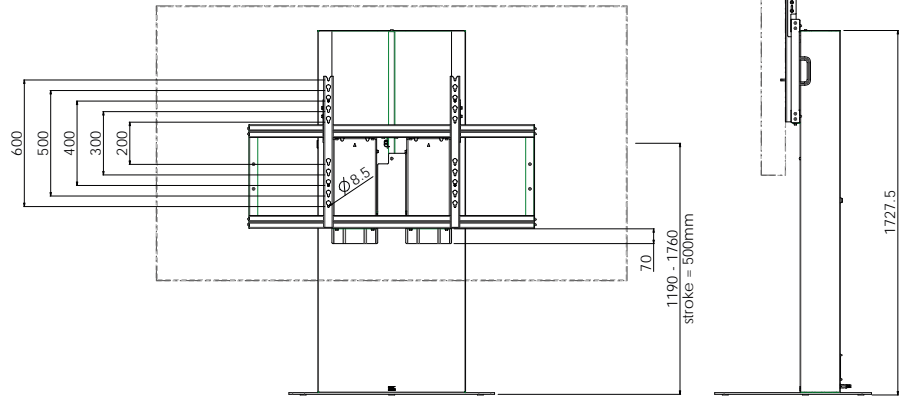
## BUSINESS & VC TROLLEYS ELECTRICAL

	Colour	
	Max. load	100 kg
	Position	Landscape
	VESA	Max. VESA 400 high
	Stroke	660 mm
	Anti-collision	Included
	Accessories	See from page 44



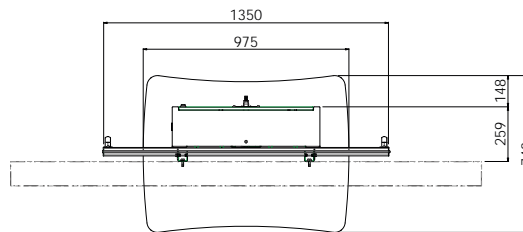
Article code	Inch range	Width (W)
062.2870	Max. 86 inch	1104 mm
062.2875	Max. 2x 65 inch	2194 mm

## Electrical stand and trolley, max. 98 inch



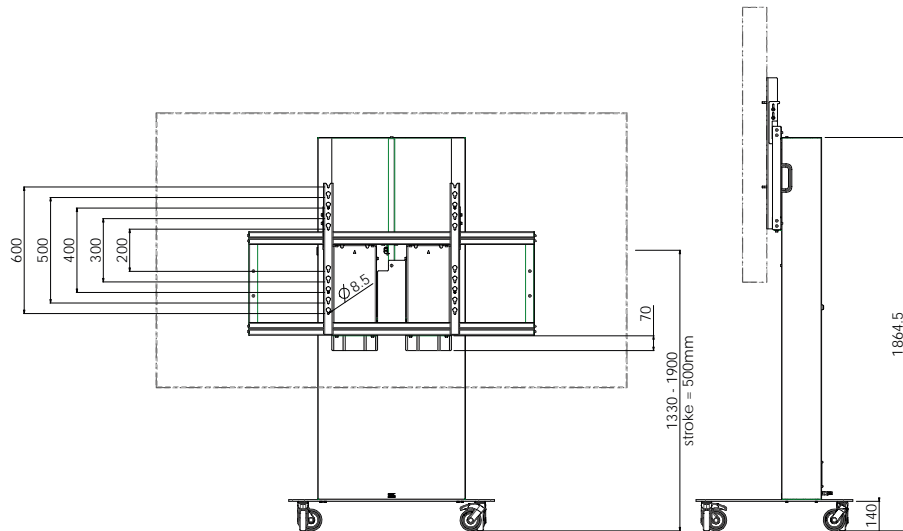
### BUSINESS & VC STAND ELECTRICAL

	Colour	<input type="radio"/>
	Max. load	190 kg
	Position	Landscape
	VESA	Max. VESA 600 high
	Stroke	70 mm
	Stroke	500 mm
	Accessories	See from page 44



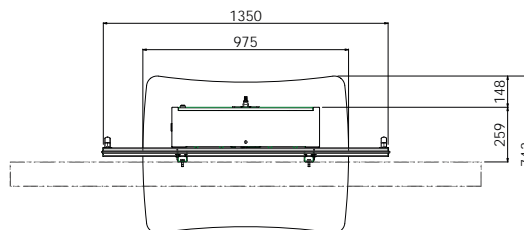
#### Article code

062.2905



### BUSINESS & VC TROLLEY ELECTRICAL

	Colour	<input type="radio"/>
	Max. load	190 kg
	Position	Landscape
	VESA	Max. VESA 600 high
	Stroke	70 mm
	Stroke	500 mm
	Accessories	See from page 44

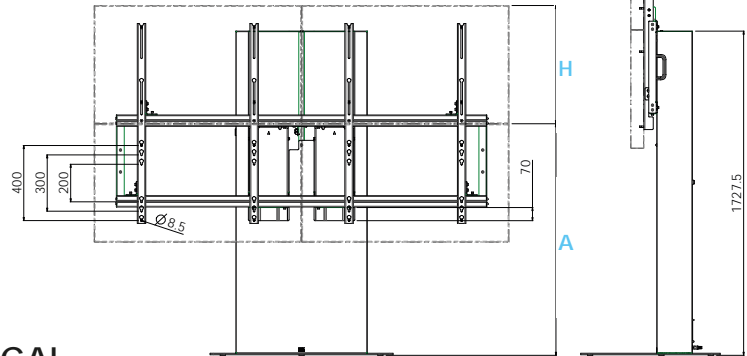


#### Article code

062.2900

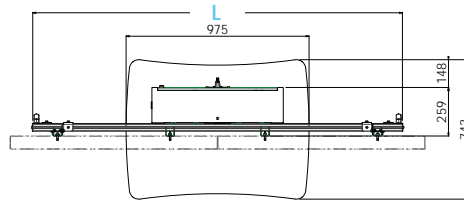
# MULTI PURPOSE BUSINESS STANDS AND TROLLEYS

Electrical freestanding mobile VideoWall



**VIDEOWALL STAND 2x2  
MAX. 55 INCH, ELECTRICAL**

	Colour	
	Max. load	180 kg
	Position	Landscape
	VESA	Max. VESA 600 x 400
	Stroke	70 mm
	Stroke	500 mm
	Accessories	See from page 44



Article code	Inch range	Monitor height (H)	Profile length (L)	Height (A)
172.7122-46	2x2 46 inch	570 - 630 mm	1970 mm	1304 - 1804 mm
172.7122-55	2x2 55 inch	680 - 730 mm	2150 mm	1230 - 1730 mm

## Accessories



**BUSINESS LINE CISCO MOUNTS**

Article code	Description
030.1030	Mount Cisco Sparkboard 55 inch & Webex Board 55S
030.1040	Mount Cisco Sparkboard 70 inch & Webex Board 70S



**BASE PLATE  
for accessories**

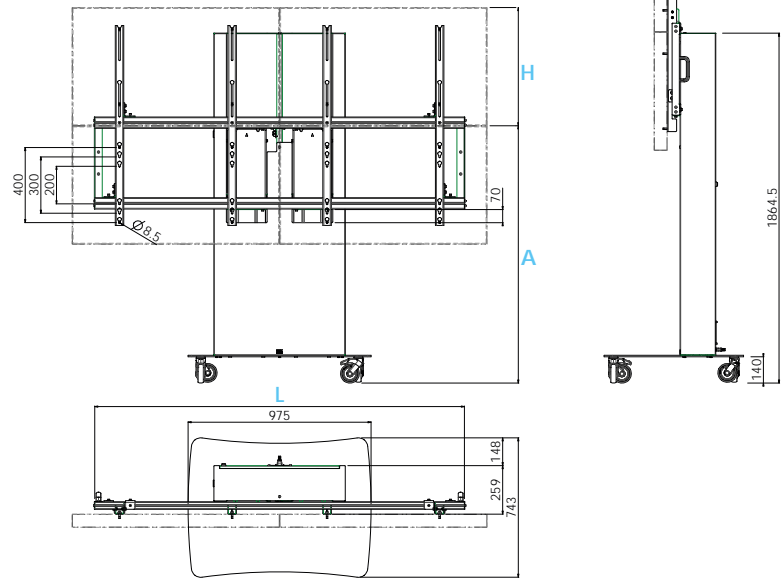
Required for mounting  
062.2881 or 062.2882.

**062.2880**



## VIDEOWALL TROLLEY 2x2 MAX. 55 INCH, ELECTRICAL

	Colour	
	Max. load	180 kg
	Position	Landscape
	VESA	Max. VESA 600 x 400
	Stroke	70 mm
	Stroke	500 mm
	Accessories	See from page 44

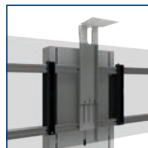


Article code	Inch range	Monitor height (H)	Profile (L)	Height (A)
172.7022-46	2x2 46 inch	570 - 630 mm	1970 mm	1370 - 1870 mm
172.7022-55	2x2 55 inch	680 - 730 mm	2150 mm	1300 - 1800 mm



### CAMERA SUPPORT

Base plate 062.2880 additionally required.

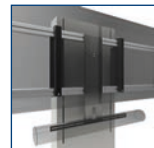


062.2881



### SOUNDBAR BRACKET

Base plate 062.2880 additionally required.



062.2882



### PC BRACKET VESA 75/100/200

Build-in adapter to mount your NUK/mini-pc/thin client safely out of sight.



062.2883



### LAPTOP SUPPORT

To be fixed to the lower horizontal aluminum profile.



062.2885